

**T3**  
SYSTEMS

T3

# ***EASYCUBE***

*PRODUCT BROCHURE - V2*



Designed and Produced by  
**TECNA DISPLAY LTD**

# FEATURES

## WHY USE T3 EASYCUBE?

Provides users with the ability to create a diverse range of structures from a few solutions. All done with a simple twist lock connect.

## MODULAR COMPONENTS

T3EasyCube is a completely modular solution. Being the key to its versatility when creating all its variations of structures.

## STRONG

Lightweight, robust design and high quality materials make it a strong and long lasting solution.

## NO TOOLS

The patented and famous twist lock assembly methods means that no tools or levers are required to assemble any T3EasyCube solution.

## RECONFIGURABLE

All components are modular allowing for structures to be reconfigured and re-purposed efficiently.

## EASY TO TRANSPORT & STORE

The modularity means that all structures can be flat packed and stored efficiently into a range of cases and bags. Saving on logistical and storage costs.

## FAST TO BUILD

Its patented design allows for fast, tool free assembly of all structures even by untrained workers, saving on potentially expensive labour costs



## i INFO

T3EasyCube operates with the same twist, lock, connect assembly system as the T3Frame



## KEY FEATURE

Counters, towers and plinths can be used individually or in bundles to give you an almost limitless number of structures to choose from.

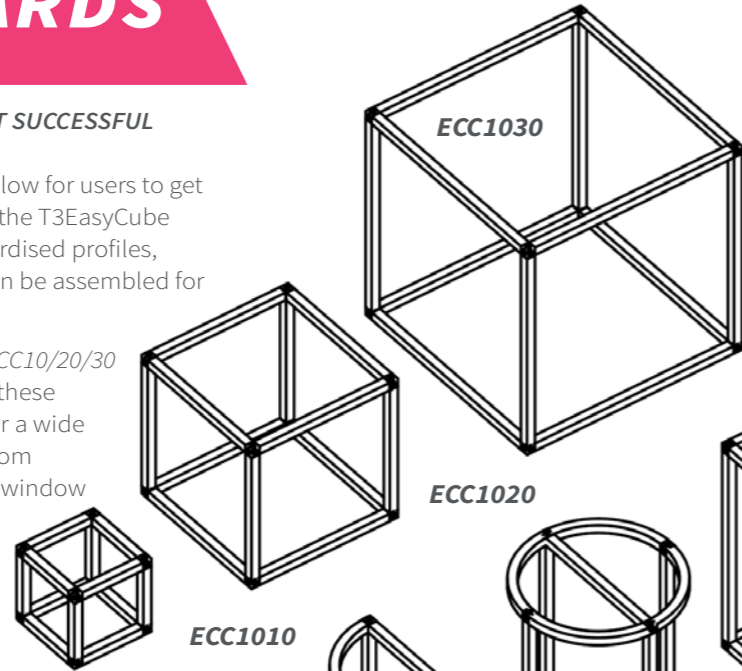
# STANDARDS

## CAPITALISE ON OUR MOST SUCCESSFUL CONFIGURATIONS.

The following variations allow for users to get the most versatility out of the T3EasyCube solution. Using the standardised profiles, multiple configurations can be assembled for any display need.

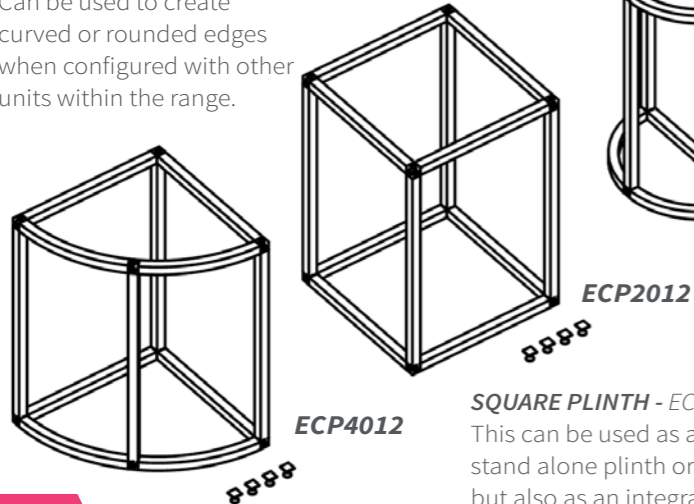
## PROMOTIONAL CUBES - ECC10/20/30

Individual or part of a set, these simple, durable cubes offer a wide range of display options from simple retail units to shop window promotions.



## CORNER PLINTH - ECP4012

Can be used to create curved or rounded edges when configured with other units within the range.



## SQUARE PLINTH - ECP2012

This can be used as an effective stand alone plinth or counter but also as an integral part to numerous configurations.

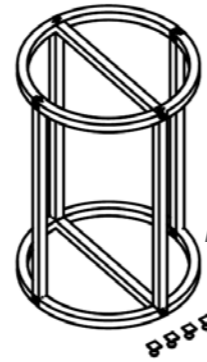
## OBLONG PLINTH - ECP2022

Largest of the plinth and counters, it is ideal for POS units and shell scheme exhibition stands. Acts as a base for multiple bundles



## CIRCULAR PLINTH - ECP3022

Ideal for corporate events, POS units and promo purposes. Add shelving and lighting easily



## SEMI CIRCULAR PLINTH - ECP3012

Ideal unit to provide curved or rounded edges when configured with other units with the range.



# COMPONENTS

Easy cube is all about making things simpler, using just 5 profiles & 2 components from

T3 Frame, *all* of our plinths and towers can be made.

A - AFT0283.5 c/c

B - AFT0567 c/c

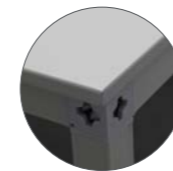
C - AFT0850.5 c/c

D - AFC0567 c/c-90°

E - AFC1134 c/c - 45°

F - Tube Clamp

G - Connector



## TOPS & SHELVING

All of the standards have a set of durable and fitted tops and shelves to make the structure a complete display solution  
View our catalogue to find out more

## KEY FEATURE

Ideal for retail displays, the various structures can be assembled quickly and configured to fit any floor space.

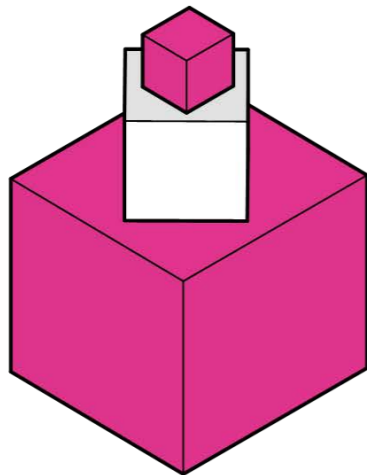
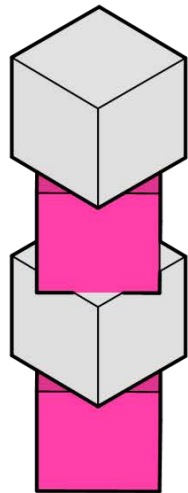


For more information about our standards please visit [www.t3systems.com/data sheets](http://www.t3systems.com/data sheets)\*

# BUNDLES

## COMBINE & DISPLAY

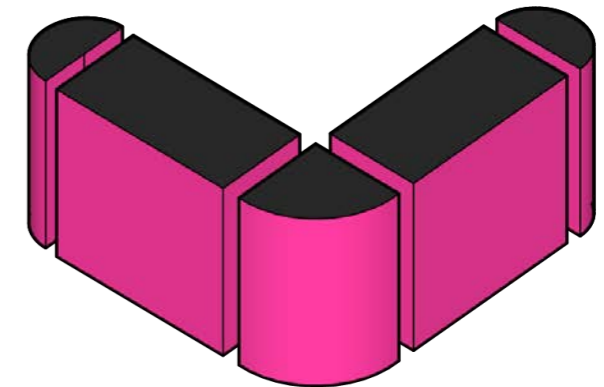
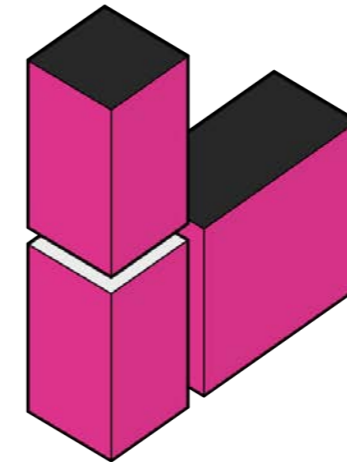
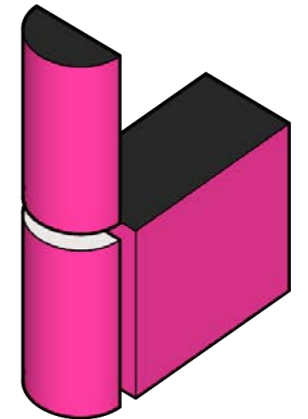
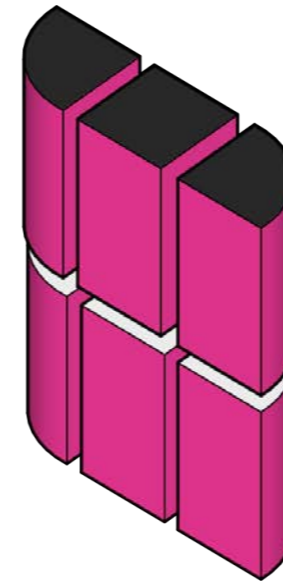
The following variations allow for users to get the most versatility out of the T3EasyCube solution. Using the standardised profiles, multiple configurations can be assembled for any display need.



## *i* INFO

The Tube Clamp allows for the easiest connection between profiles to be made. Simply hook the two profiles together and clamp shut.

TUBE CLAMP



## TUBE CLAMP COMBINATIONS

The following variations allow for users to get the most versatility out of the T3EasyCube solution. Using the standardised profiles, multiple configurations can be assembled for any display need.

# CONFIGURATIONS

## RECONFIGURE AND REUSE

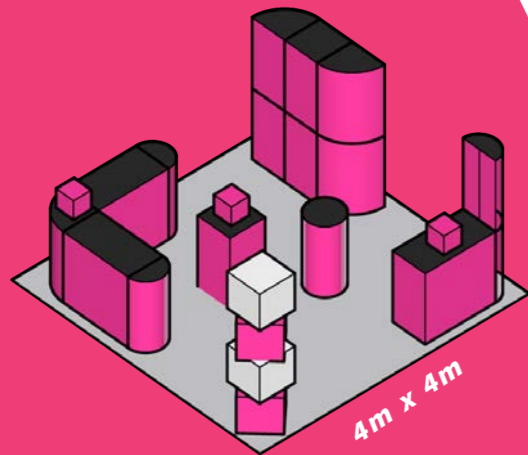
Part of the T3EasyCube's unmatched versatility is the ability to be reconfigured and re-purposed for other projects and designs.

The individual structures can be relocated and joined together to create a broad range of dynamic display structures.

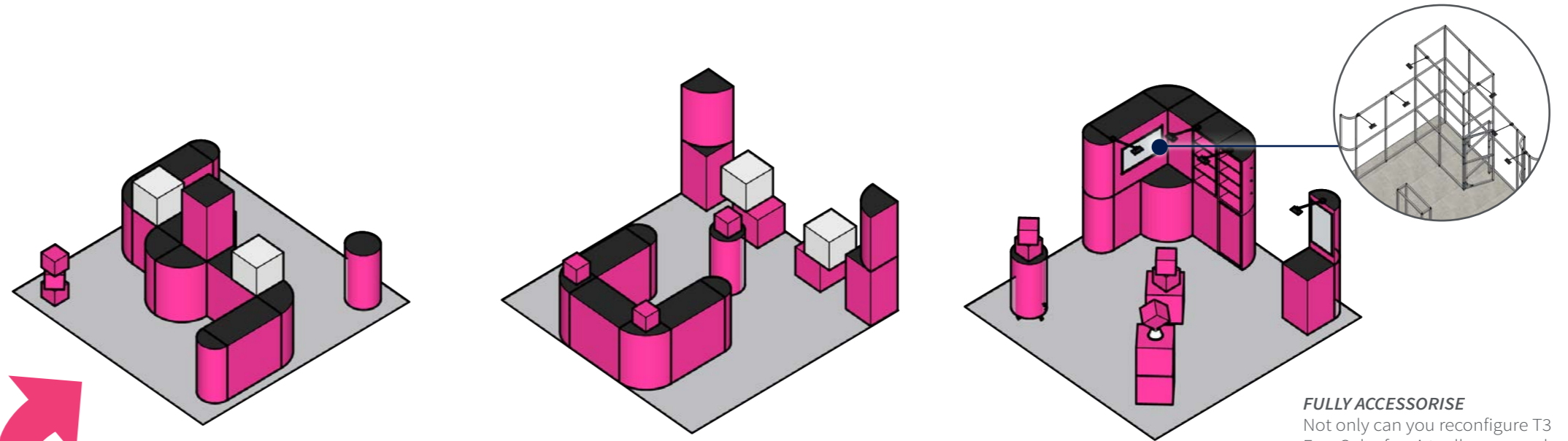
## HOW IT WORKS

The example structure's standards can be reconfigured into various displays. The individual standards are moved to a desired configuration and then clamped into place. (Each of the following configurations use the exact same amount of standards as the below displays)

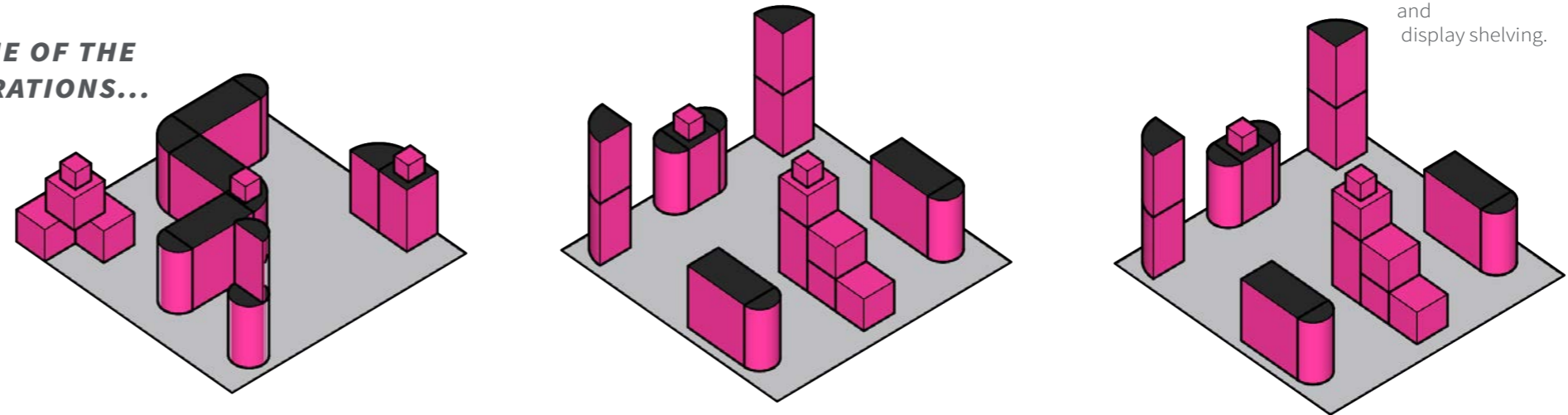
## EXAMPLE



4m x 4m



JUST SOME OF THE CONFIGURATIONS...



## FULLY ACCESSORISE

Not only can you reconfigure T3 EasyCube for virtually any needs but you can accessorise your display with spotlights, TV mounts and display shelving.

# GRAPHICS

## FINISH YOUR DISPLAY WITH VIBRANT GRAPHICS.

T3 Easycube comes with stock shelves and tops for our entire standard range, all that left is graphics! Luckily T3EasyCube is able to support various graphic types. A variety of combinations can be created between profiles and extrusions to accommodate multiple graphic types at a time.

**TEXTILE** T3EasyCube can be used to carry all textile or fabric graphics. Using our Silverlite extrusions, it allows for the silicon edging of the graphic to be fitted quickly. Common profiles used: **FUSION, CHANNEL**

**ROLL UP** T3EasyCube can be used to carry all manner of roll up graphics. Profiles are fitted with either steel or Velcro tape with the graphic then being fitted with opposing Velcro or magnetic tape. Common profiles used: **AIRFRAME**

**RIGID BOARD** T3EasyCube can be used to carry rigid panel graphic easily. Profiles can be fitted with Velcro to ensure the panels stay securely to the frame. Common profiles used: **AIRFRAME**



## SEAMLESS EDGE

Our 45° Silverlite allows for a virtually seamless finish to be created.

## SLIDING DOOR

T3 Easycube also supports the use of T3 Frame's Sliding Door profile allowing you to create seamless storage.

# ACCESSORIES

## MULTIPLE ACCESSORIES FOR EVERY DISPLAY NEED.

There are a variety of accessories that will help compliment or give extra functionality to any display structure. (View our catalogue to find more accessories that are available)



## BAGS AND CASES CODE: CRB

Various branded bags and travel cases are available. Structures can be dismantled and packed into these cases for compact transportation and storage.



## Z STAND CODE: WLSZ

Allows for T3Wandlite to be located inside any plinth and counter without fixing it to the structure



## WHEELS CODE: FWD50/S

Structures can be moved quickly and easily by simply rolling the unit (also with brakes).



## SHELF SUPPORT TWIST-IN CODE: CHSST

Provides a support mount for shelving and the installation of T3Wandlite tubes. Twisting directly into the channels of T3EasyCube profiles. They can be applied on an adhoc basis.



## ROTATING CUBE CODE: RTM

An ideal promotional message delivery system. Integrate a number of small to large structures into the rotating cube cradle.



## SWAN LIGHTS CODE: SPLBLK/CHR

Illuminate your tower Bundles with purpose built swan lights.

# INDUSTRIES

## UNLIMITED VERSATILITY WITH A SIMPLE TWIST, LOCK & CONNECT

From counters and towers to full exhibition stands and product displays, T3EasyCube solution gives you an unhindered ability to think outside the box with your design.

### BARS & COUNTERS

Due to its innovative concept, multiple variations of bars and counters can be created. Structures can be used individually or in bundles to create a solution to fit any floor space. Shelving, sliding doors and product display units can also be integrated to maximise on the structures functionality.

### EXHIBITIONS

Use T3 EasyCube to create cost effective and versatile exhibition displays. Large display back walls, product display counters and towers can be assembled in a matter of minutes leaving you more time to focus on your actual exhibition.

### TOWERS AND COLUMNS

T3EasyCube provides the ability to create a variety of functional and eye catching tower displays. With the ability to stack and connect individual structures, a broad range of towers can be created for any purpose.

### RETAIL

Classic retail displays need frequent updates in order to keep up with current market trends and designs. T3EasyCube allows for this to be done with a simple Twist&Lock. Promotional graphics can be quickly interchanged keeping display up to date. Multiple retail accessories can be integrated to enhance any display.

### POINT OF SALE

Structures can be easily transported and assembled on site within minutes. Users can adapt their displays quickly with our wide range of accessories. All floor spaces can be accommodated for due to T3 EasyCube's reconfigurability.

## T3 WANDLITE

T3EasyCube can easily be integrated with T3Wandlite which allows for bright and effective illumination of all displays and structures

## KEY FEATURE

The simple twist, lock and connect functionality allows for the structures to be built in a matter of minutes.

## GET IN TOUCH



### EMAIL

[sales@tecnadisplay.com](mailto:sales@tecnadisplay.com)



### CALL

UK OFFICE: +44 (0)208 803 4469  
USA OFFICE: +1 (310) 299-2789



[WWW.T3SYSTEMS.COM](http://WWW.T3SYSTEMS.COM)

**T3**  
SYSTEMS

